

Standard Range of EMC Cabinets

Product Datasheet



Key Features:

- ✓ EMC protection
- ✓ Standard heights: 12U, 21U, 45U
- ✓ 19" equipment mounting verticals
- ✓ Supplied with 4 x lifting eyes
- ✓ Top and bottom EMC gland plates for cable entry
- ✓ Cabinet earth point provided in cabinet base
- ✓ Range of 19" rack mountable accessories
- ✓ Supplied fully assembled

Product Overview:

EMC cabinets are of advanced design to meet the EU electro-magnetic compatibility regulations, for critical equipment such as medical, defence or other sensitive IT applications.

The Rainford Solutions Vanquish[®] E-Series EMC cabinet has been designed to provide a robust shielded solution for housing a wide range of electronic equipment.

Our cabinets are supplied fully assembled ready for immediate deployment.

Designed and Manufactured in the UK

Performance:

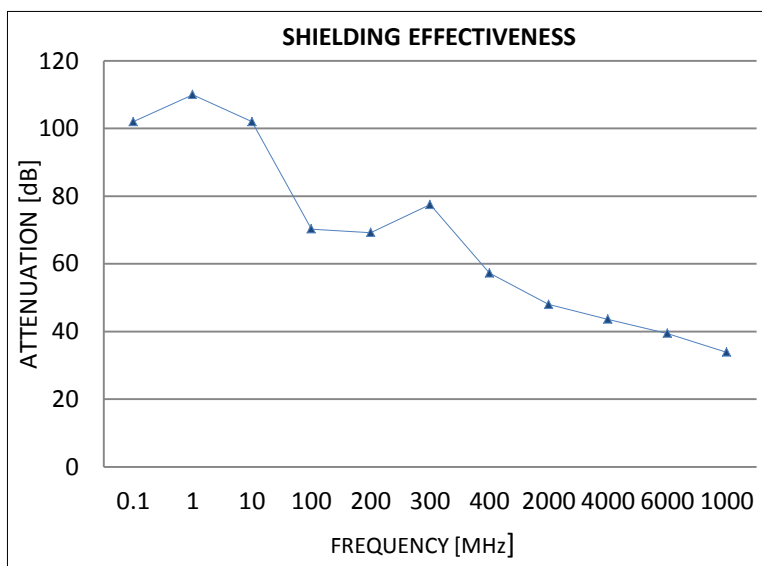
The Vanquish[®] E-Series EMC cabinet gives >40dB of attenuation from 10MHz to 1GHz*

The EMC Cabinet comes in a standard height range of 12U, 21U, 45U.

Alternative equipment heights are available on request.

The Vanquish[®] E-Series EMC cabinet comes in two depths 600mm and 800mm. Excluding depth of doors (Front & Rear).

*Maximum Values



Standard Range of EMC Cabinets

Product Datasheet

Technical Information:

Standard Features:

- ✓ Cabinet mounting plinth with adjustable feet for levelling
- ✓ Full height door front and rear with 3-point locking and pad-lockable handle
- ✓ 2 x pairs of equipment mounting verticals with chosen 'U' height markings
- ✓ Removable side panels
- ✓ All removable panels fully earth bonded
- ✓ 4 x lifting eyes at top of cabinet for ease of installation
- ✓ EMC Seal Characteristics; Metalized Cloth/Nickle/Copper
- ✓ Removable solid gland plate in top and bottom of cabinet
- ✓ M10 Brass Earth Stud in base

Sizes and Options:

Cabinet Sizes		Height	Width mm	Depth mm
VE-12-06-06-V1-D01-T1	Vanquish® E-Series EMC cabinet	12U	600	600
VE-12-06-08-V1-D01-T1	Vanquish® E-Series EMC cabinet	12U	600	800
VE-21-06-06-V1-D01-T1	Vanquish® E-Series EMC cabinet	21U	600	600
VE-21-06-08-V1-D01-T1	Vanquish® E-Series EMC cabinet	21U	600	800
VE-45-06-06-V1-D01-T1	Vanquish® E-Series EMC cabinet	45U	600	600
VE-45-06-08-V1-D01-T1	Vanquish® E-Series EMC cabinet	45U	600	800

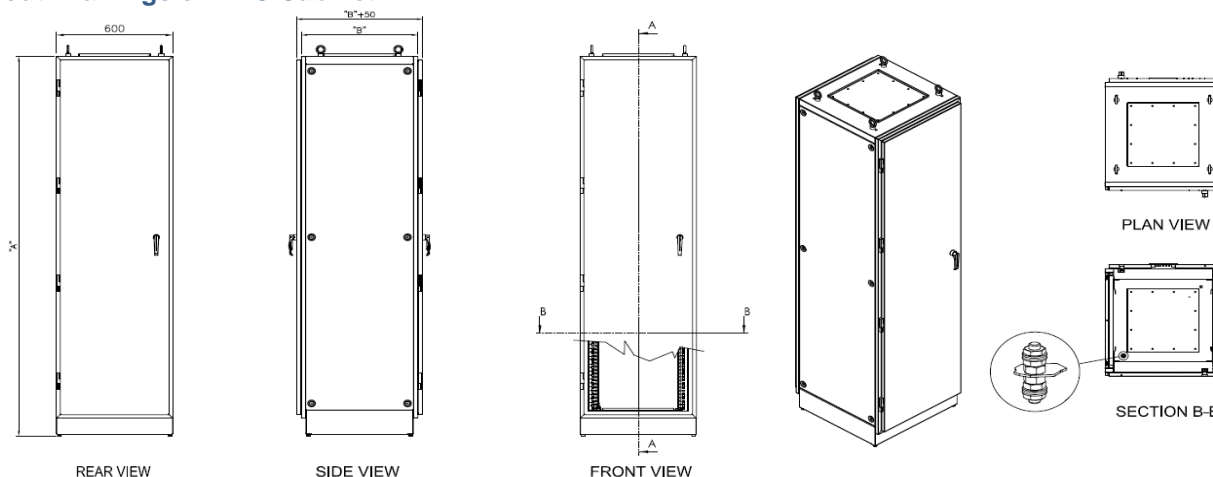
Accessories and Options	
VE-45-100-50-CTK-00	Cable Trunking Kit
VE-00-00-600-HDC-00	Heavy Duty Castor Kit - 600
VE-00-00-800-HDC-00	Heavy Duty Castor Kit - 800
VU-00-00-400-CRK-00	Chassis Runner Kit
VU-02-19-00-SS6-00	6 Way Socket Strip
VU-XX-19-00-FPK-00	Blanking Front Panel [1U – 6U Height]
VE-01-19-500-FST-00	Fixed Shelf Kit - 600
VE-01-19-700-FST-00	Fixed Shelf Kit - 800
VU-00-00-300-CCR-00	Cantilever Chassis Support
MS010034	EMC Fan/Filter (performance 70m ³ /hr)



Finish:

- ✓ Cabinet frame, doors and side panels are finished in light textured polyester powder paint over zinc plating
- ✓ Standard paint colour; Grey (RAL7032)
- ✓ Alternative paint colours available upon request
- ✓ Supplied fully assembled

Layout Drawings of EMC Cabinet:



A: Rainford Solutions Ltd, Rainford House, Mill Lane, Rainford, St. Helens, WA11 8LS
T: +44 (0) 1744 889 886
E: sales@rainfordsolutions.com

* Please see our representative for full technical information, this document is for guidance only