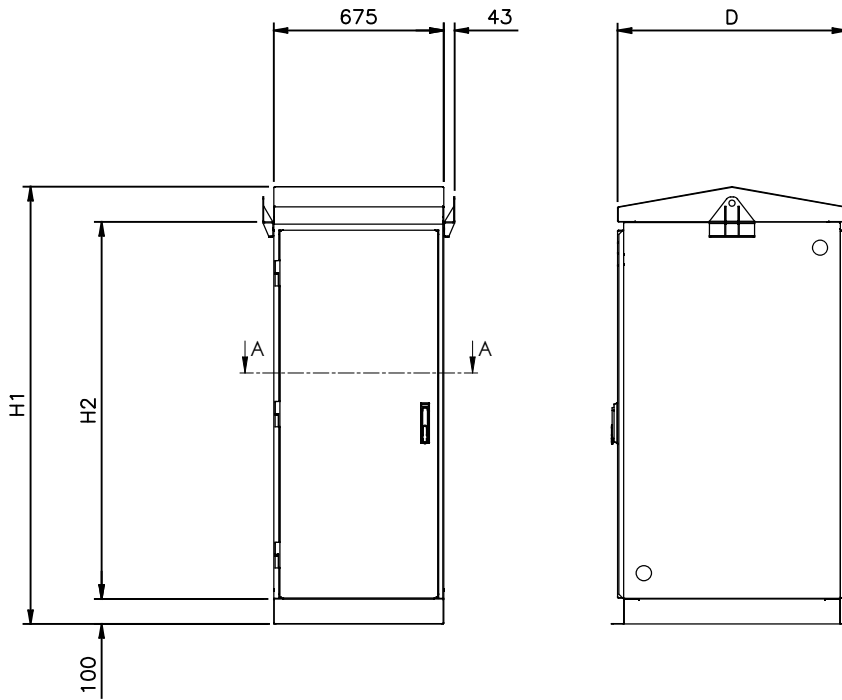




# VANGUARD OUTDOOR ENCLOSURE SINGLE BAY



CABINET SIZE	H	H2	W	D	WEIGHT
20Ux600	1272	1052	675	608	TBA
20Ux800	1283	1052	675	808	TBA
25Ux600	1494	1274	675	608	TBA
25Ux800	1505	1274	675	808	TBA
30Ux600	1716	1496	675	608	TBA
30Ux800	1727	1496	675 <td 808	TBA	



### STANDARD CABINET FEATURES

- LH HINGED DOOR FITTED WITH 3-POINT LOCKING SWING HANDLE
- FIXED REAR PANEL
- FULL HEIGHT 19" MOUNTING VERTICALS
- CABINET FITTED WITH IP65 VENT PLUGS
- STANDARD PAINT COLOUR : RAL TBA

### CABINET OPTIONS

- UPGRADE TO STAINLESS STEEL SWING HANDLE

### CABINET ACCESSORIES

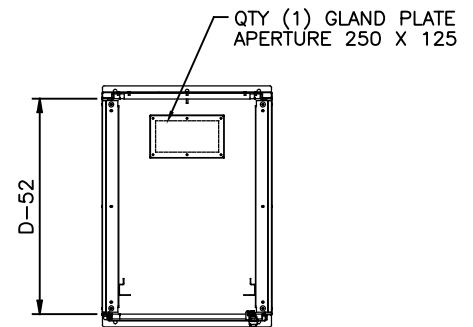
- ANTI CONDENSATION HEATER KIT
- DOOR ALARM KIT
- CABLE TRAYS
- ETSI MOUNTING VERTICALS
- FULL RANGE OF 19" OR ESTI MOUNTING ACCESSORIES
- EQUIPMENT SHELVES/BATTERY TRAYS
- 6 WAY 19" PDU

### STANDARD CABINET MATERIALS / FINISHES

- MAIN CABINET STRUCTURE AND PANEL WORK
- AIR INLET FILTER
- SWING HANDLE

### MATERIAL / FINISH

TYPE 4003 STAINLESS STEEL / POLYESTER POWDER COATED  
 UL94V0 POLYURETHANE FOAM  
 POLYAMIDE GF BLACK



SECTION A-A

**RAINFORD SOLUTIONS LTD**  
**MILL LANE, RAINFORD,**  
**ST.HELENS, MERSEYSIDE**  
**WA11 8LS**  
**WWW.RAINFORDSOLUTIONS.COM**