

Range of Wall Boxes

Product Datasheet



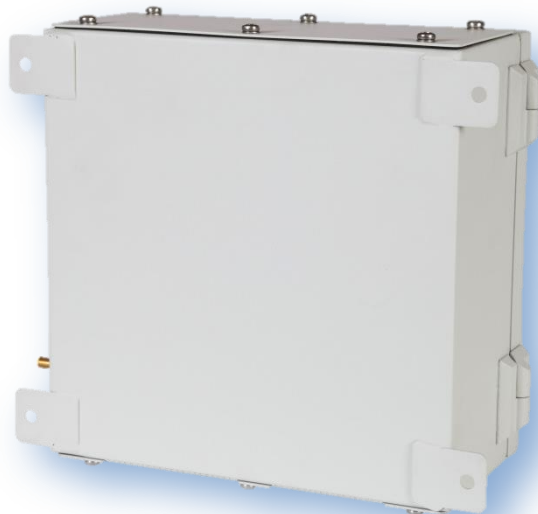
Features:

- ✓ Wide range - 5 sizes in 2 depth options
- ✓ IP65 for maximum protection
- ✓ Construction materials; Stainless Steel 4003
- ✓ Superior door sealing arrangement
- ✓ Gland plates
- ✓ Hasp bracket or camlock for security
- ✓ Lift off hinges for easy mounting and access
- ✓ 2 through door fixings for quick access and improved ingress protection

Applications:

- ✓ Junction boxes
- ✓ Wall boxes for cable incoming connections
- ✓ Transmission boxes for substations
- ✓ Factory & Automation applications

** Recommended for all Industrial & Commercial, external and internal environmental needs where protection is paramount.*



Product Overview:

EasiBox® is a range of standard sized IP65 wall boxes providing an ultimate protection for your equipment in a harsh industrial environment. It has an easy 4 point wall mounting arrangement and top and bottom gland plates to suit all existing cable arrangements and space constraints.

Our special 'edge on' seal design developed over many years provides maximum protection and easy maintenance with fully replaceable seal. Additionally the edge on' design extends the seal life by protecting it from degradation. Our rounded corner apertures forms a uniform protection across the section and aids additional water run off. Furthermore the EPDM bubble seal offers extra compression providing superior ingress protection.

EasiBox® has simple "in box" mounting arrangement consisting of 4 mounting pins allowing you to mount your chosen back plate.

Range of Wall Boxes

Product Datasheet

Technical Information: Standard EasiBox®:

- ✓ **Material**
1.5mm + 2mm thick Stainless Steel 4003.
- ✓ **Superior Seal Design**
EPDM bubble seal offering extra compression providing superior ingress protection
- ✓ **Gland Plates**
Removable top and base 1.5mm thick with 6 x M6 pozi pan screws each accommodates 20 x 20mm SWA glands or 16 x 25mm SWA glands at 500mm width / 150mm depth box.
** Speak to our representative to find out maximum gland arrangements for each gland plate size.*
- ✓ **Mounting Brackets**
4 wall brackets attached to the box by welded vertical structure providing prime support for wall mounting.
- ✓ **Earthing**
Brass M8 internal / external ground connection; M4 internal ground connection.
- ✓ **Equipment Mounting**
4 fixing points installed by a self clinch method providing superior holding strength for the mounted equipment.
- ✓ **Door**
Detachable door with left hand side opening fixed on 2 stainless steel hinges; only 2 through door fixings for quick access, placed outside of the seal to avoid contact; 180° degree door opening.
- ✓ **Locking**
Hasp bracket or cam lock.
- ✓ **Operating Temperature**
Approx. -40°C up to +130°C.
- ✓ **Equipment Mounting Plate**
a 6mm wooden back board or 1.5mm galvanized mild steel mounting plate as an option.



Range of Sizes:

Height A (IN MM)	Width B (IN MM)	Depth C (IN MM)
300	300	150 or 300
400	400	150 or 300
500	500	150 or 300
700	500	150 or 300
900	600	150 or 300

Equipment Mounting Plate Sizes:

EasiBox® Height	EasiBox® Width	Equipment Mounting Plate Height	Equipment Mounting Plate Width
300	300	200	275
400	400	300	375
500	500	400	475
700	500	600	475
900	600	800	675

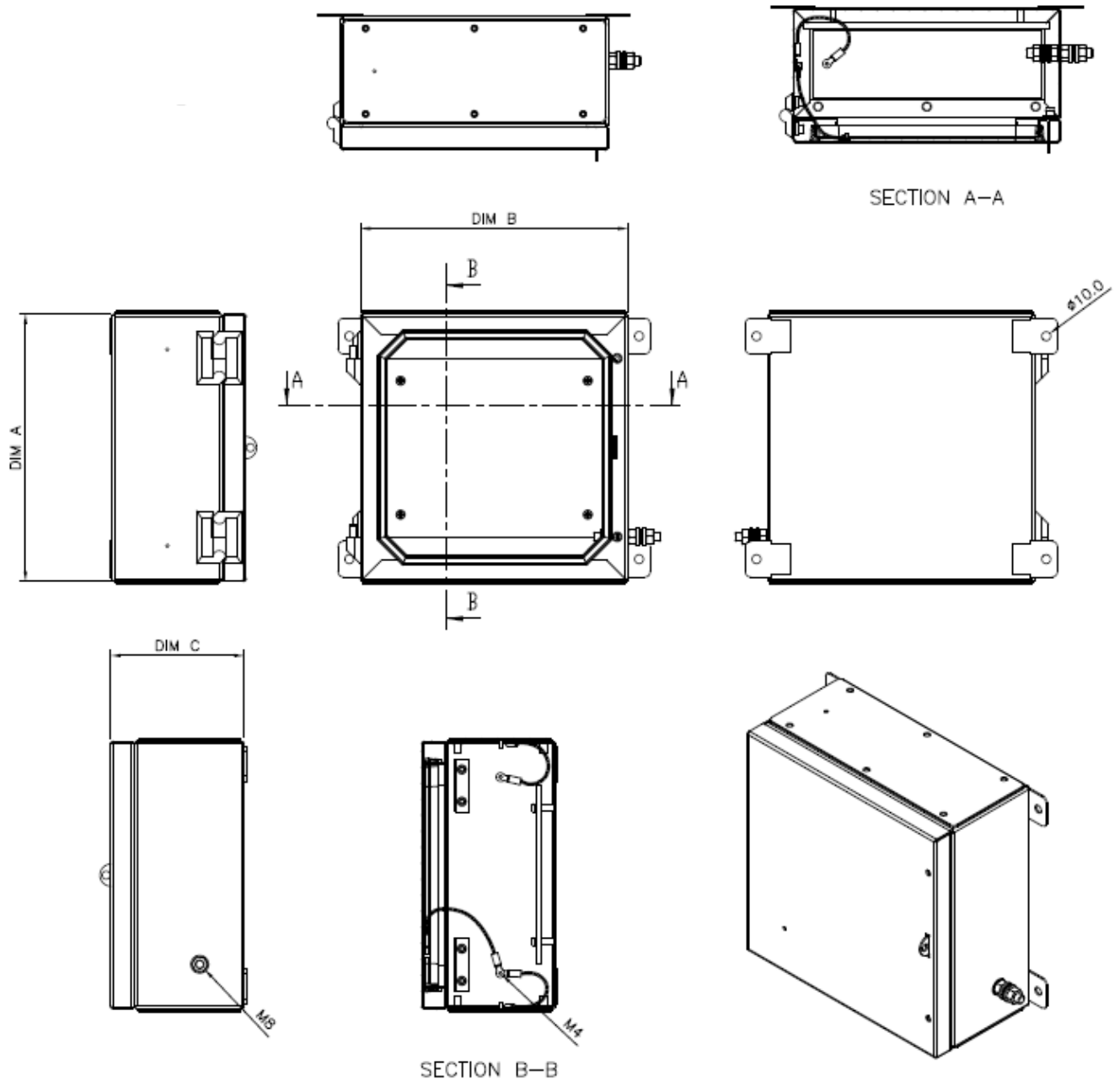
Please see our representative for full technical information, this document is for guidance only.

Tests:
IP65 Tested by external body,
Certificates available upon request.

Range of Wall Boxes

Product Datasheet

Product Drawings:



Please see our representative for full technical information, this document is for guidance only.

A: Rainford Solutions Ltd, Rainford House, Mill Lane, Rainford, St. Helens, WA11 8LS

T: +44 (0) 1744 889 886

E: sales@rainfordsolutions.com

* Note that the distance between the gland plate slot and the edges of each EasiBox® remains constant.

EasiBox® is a registered trademark of Rainford Solutions Ltd, number 3009918